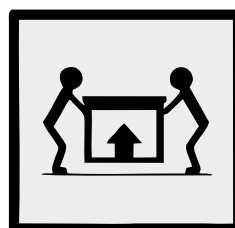
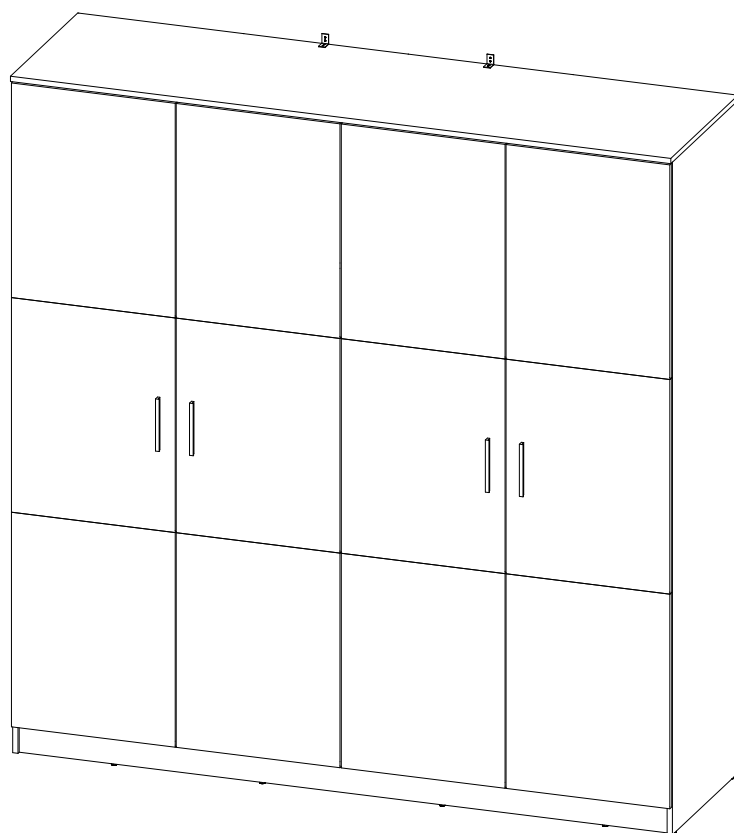


# Wardrobe Monika 2054x2000x560 mm

## ASSEMBLY INSTRUCTION



### **NOTE!**

For all questions and complaints about this product, please contact the place of purchase of this product.



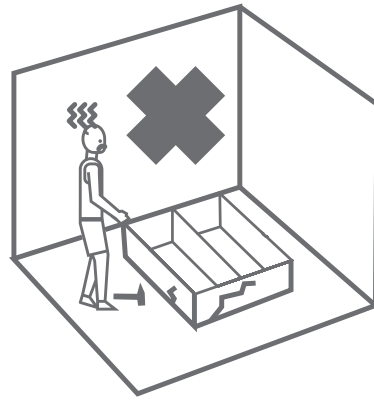
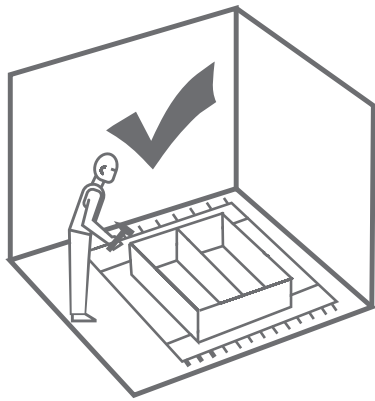
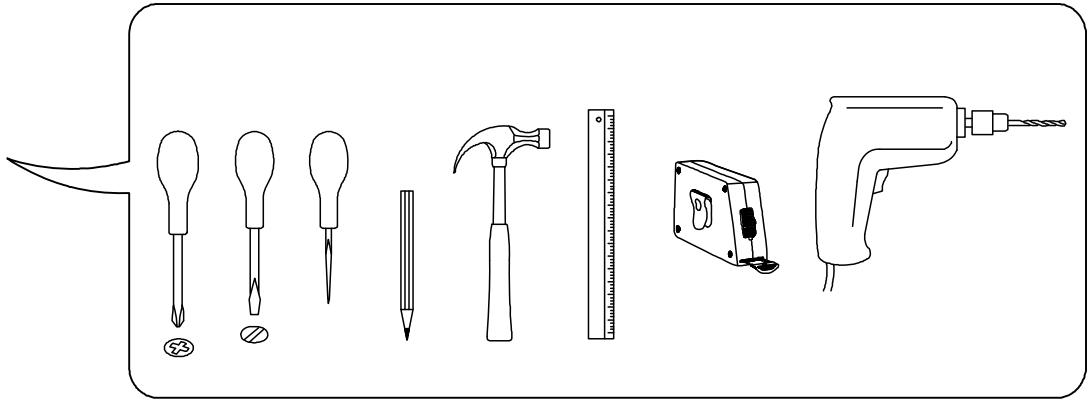
### **RULES FOR USE AND CARE OF FURNITURE**

1. Use furniture only in dry rooms protected from the effects of weather conditions.
2. Install with suitable tools according to these assembly instructions.
3. Try to assemble as close to the location as possible.
4. The body is assembling in a horizontal position.
5. Before moving furniture, make sure that it is not loaded with items.

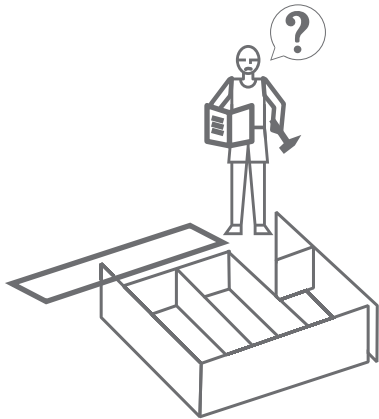
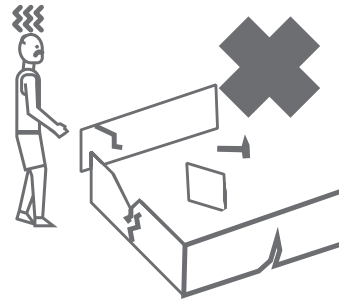
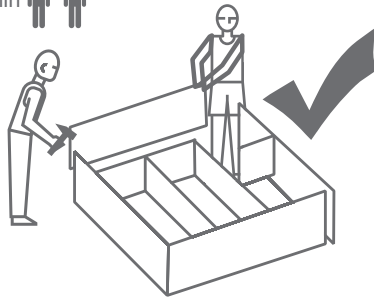
**Caution:** moving furniture may damage it.

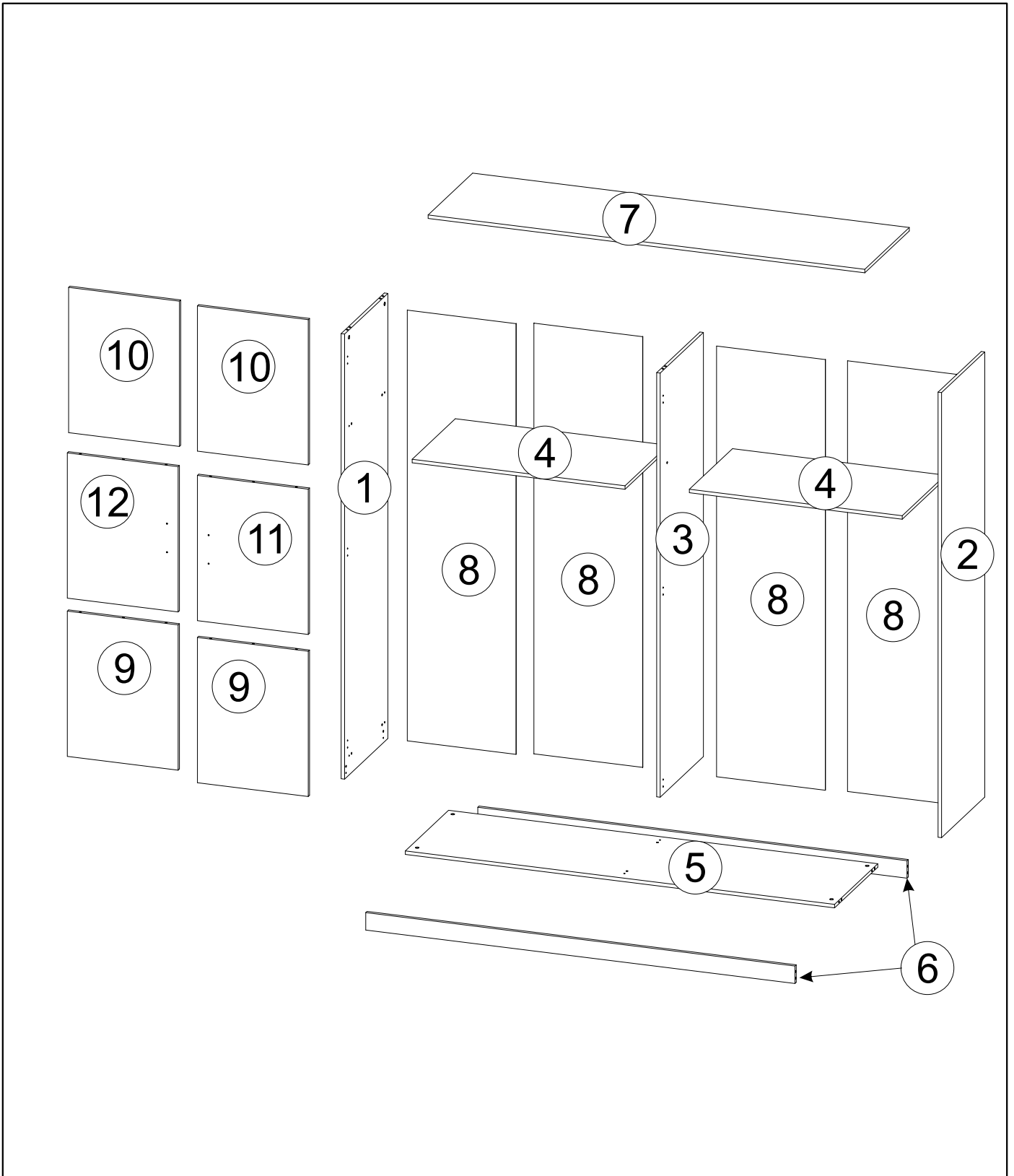
When moving, hold on to vertical elements only; moving furniture by horizontal parts can break the product.

6. Overloading the furniture can damage it.
7. From time to time check the fittings and their correct position.
8. Wipe the furniture surface only with a slightly damp cloth or paper towels. Do not use chemical cleaning agents other than those specifically made for this.

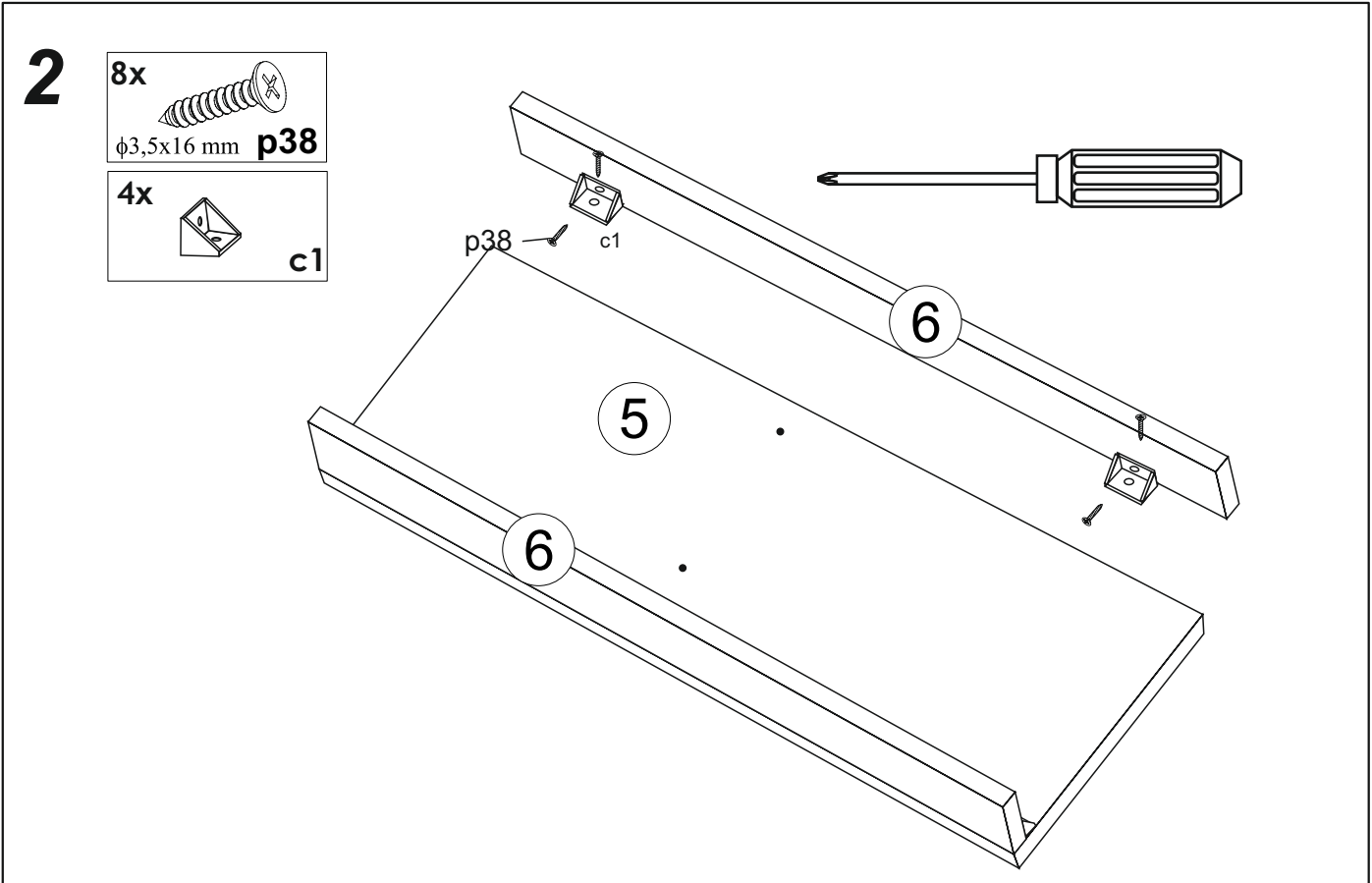
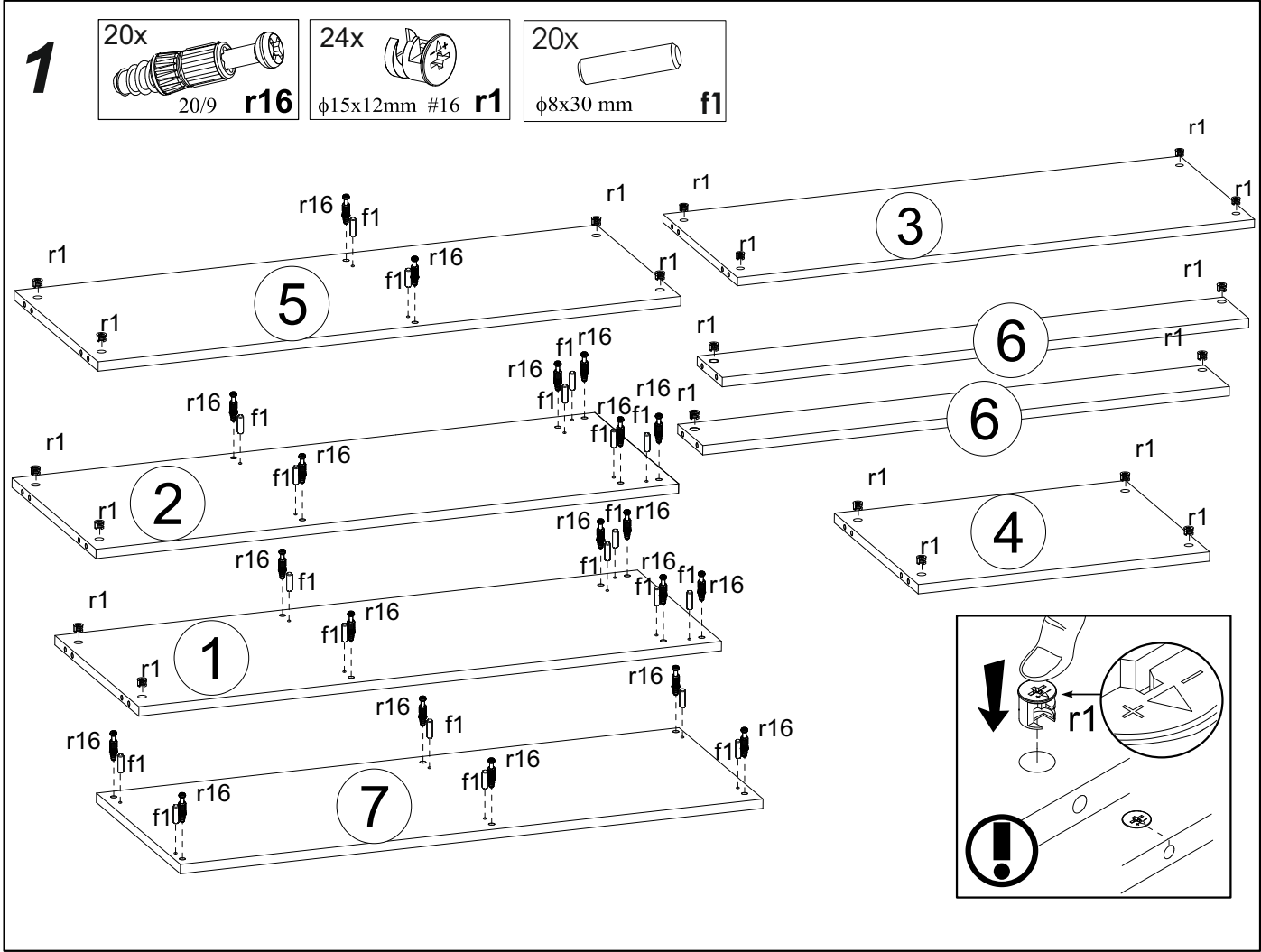


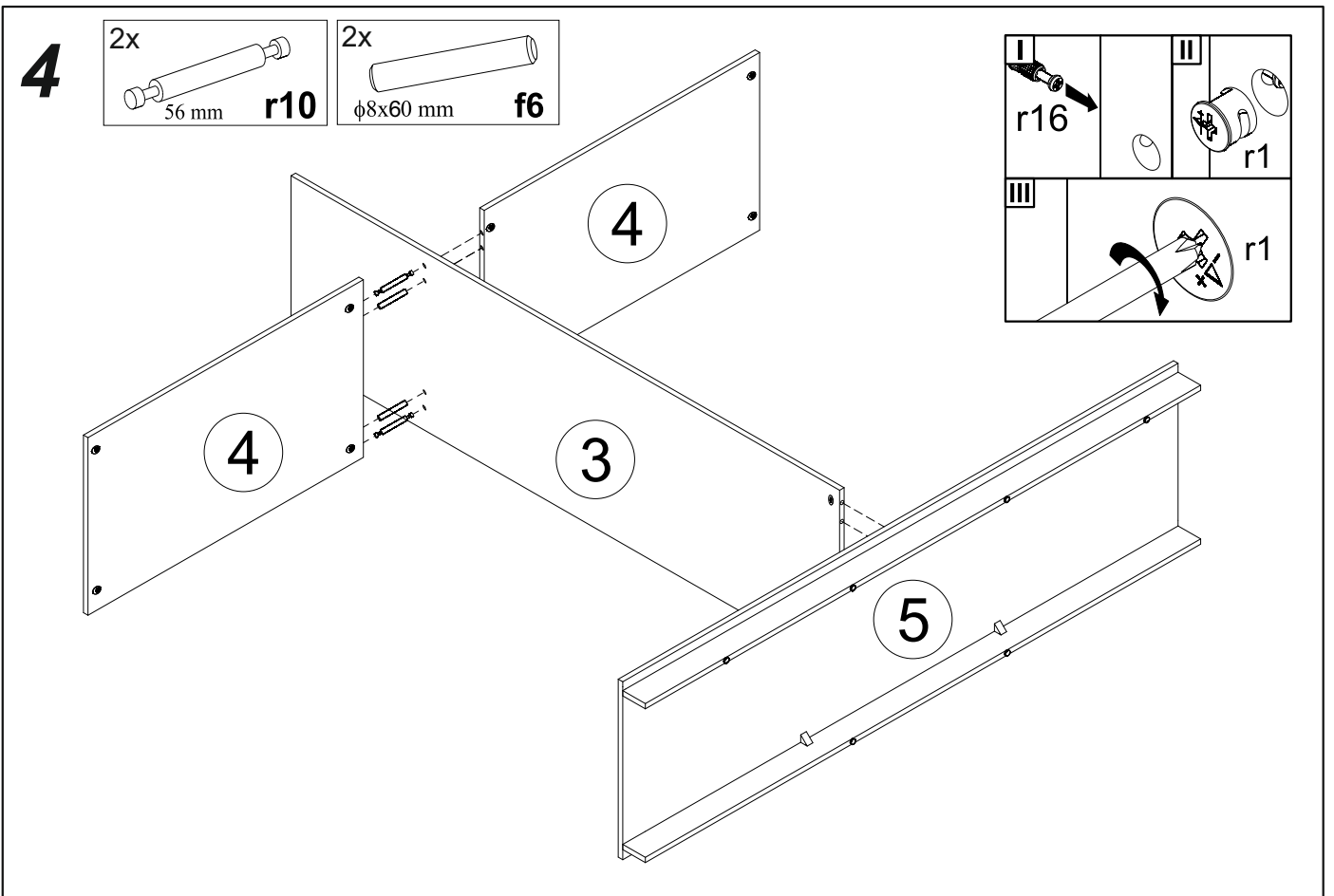
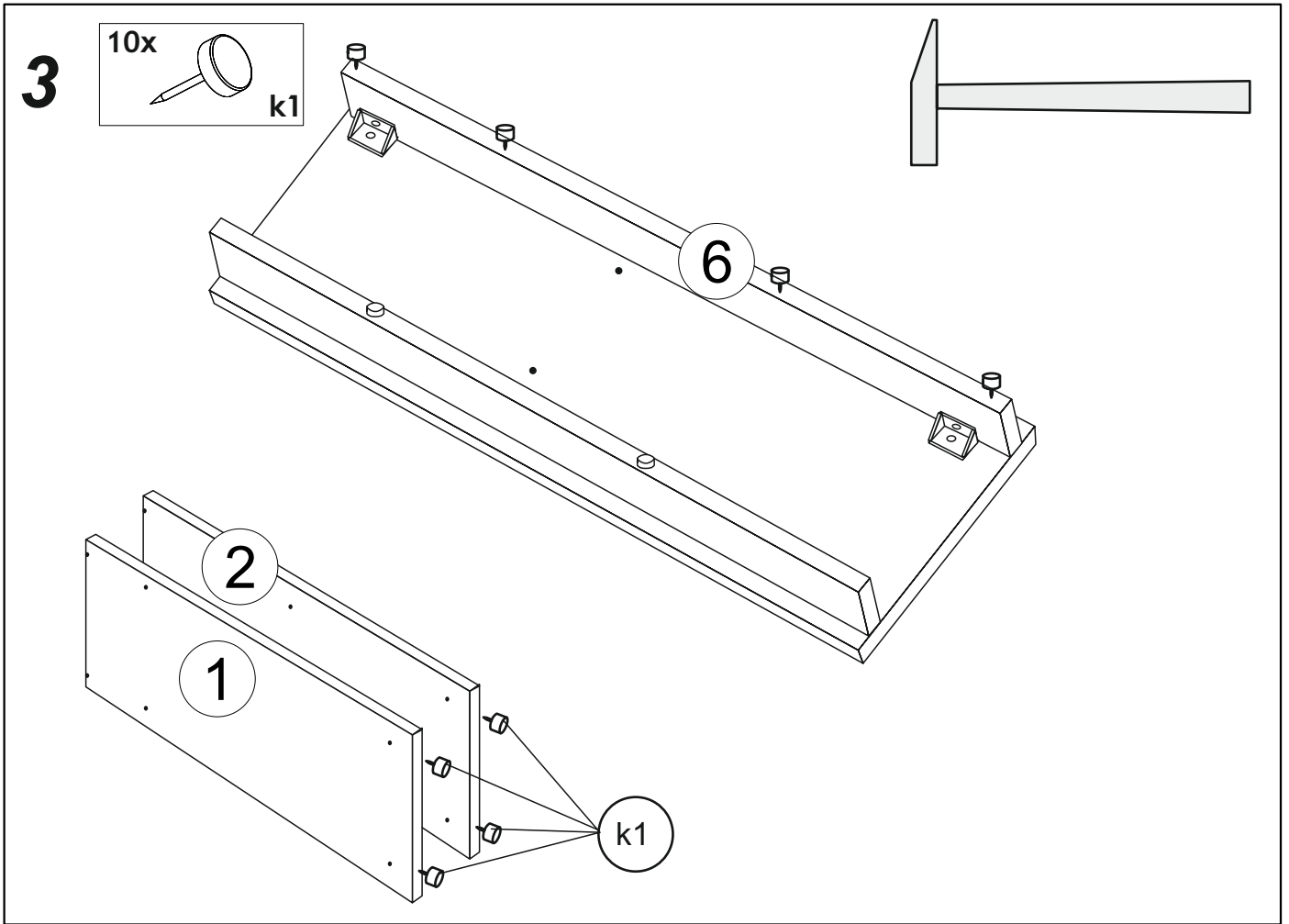
60-120 min

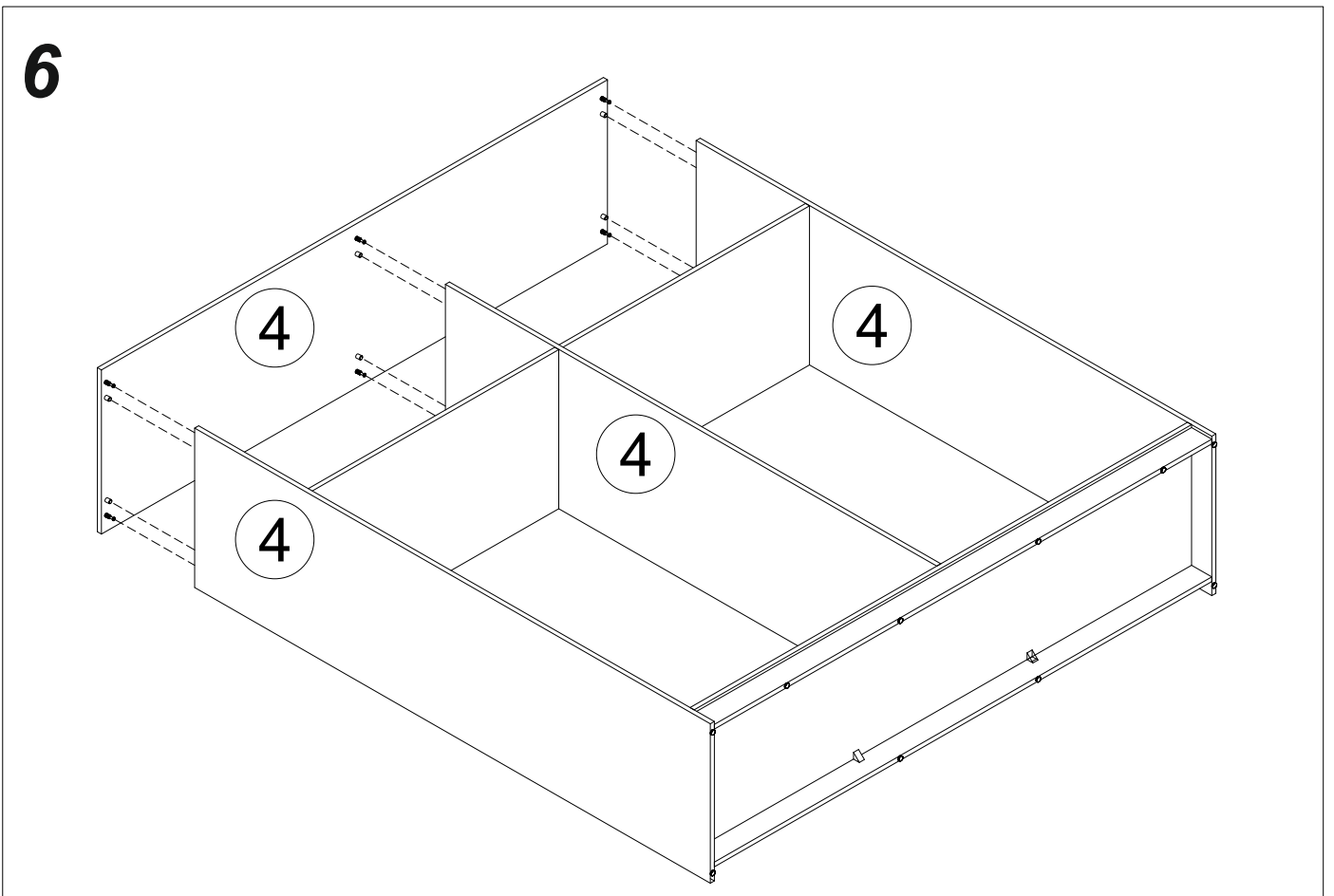
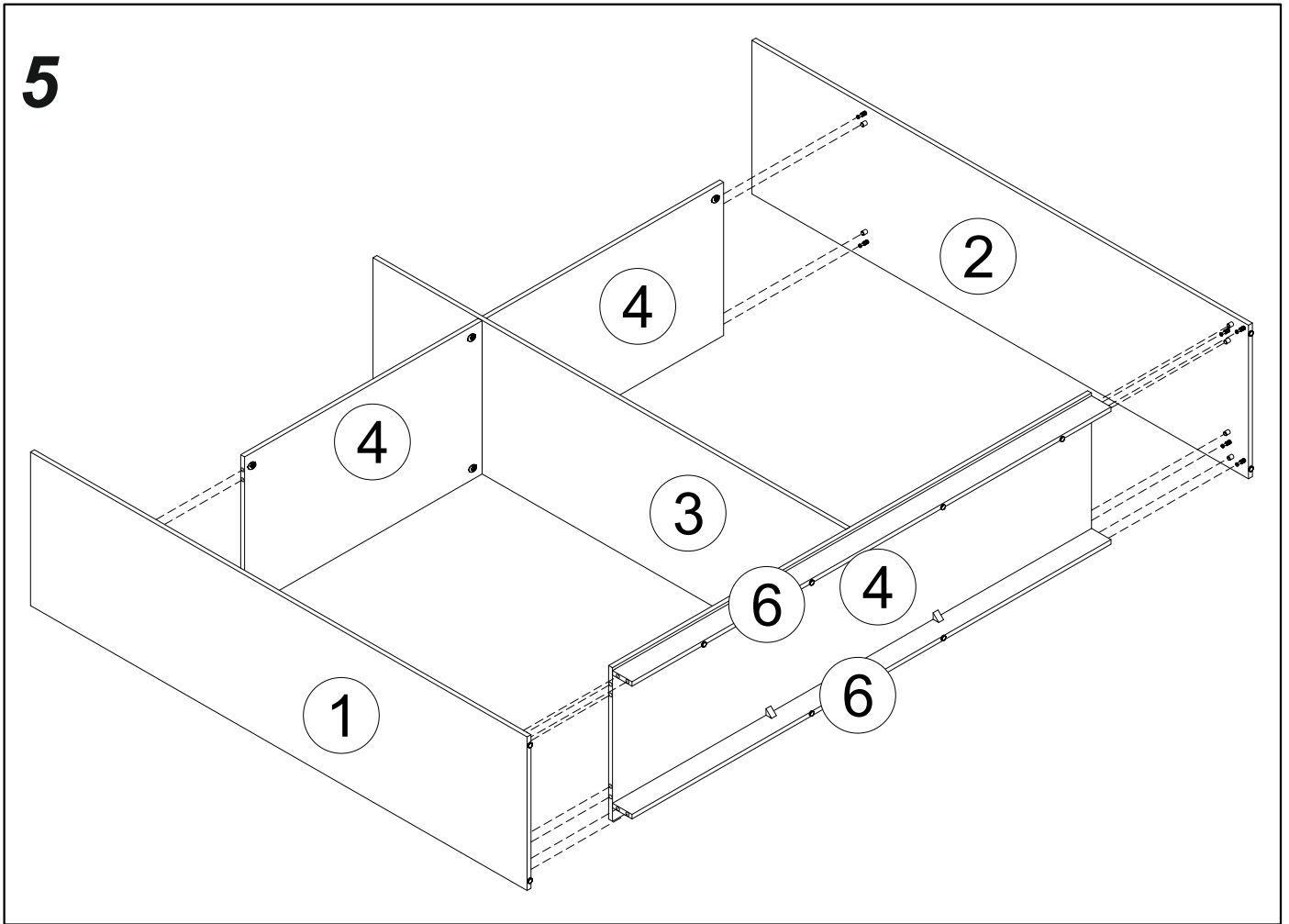





46x φ3,5x16 mm <b>p38</b> 	24x φ6x13 mm <b>e3</b> 	12x <b>D</b> 	20x 20/9 <b>r16</b> 	40x φ15x12mm #16 <b>r1</b> 	20x φ8x30 mm <b>f1</b> 
10x <b>k1</b> 	10x 56 mm <b>r10</b> 	18x φ8x60 mm <b>f6</b> 	6x 	12x <b>c1</b> 	6x 
4x <b>c1</b> 	<b>l1</b> 	2x 	2x 	4x <b>n906</b> 	

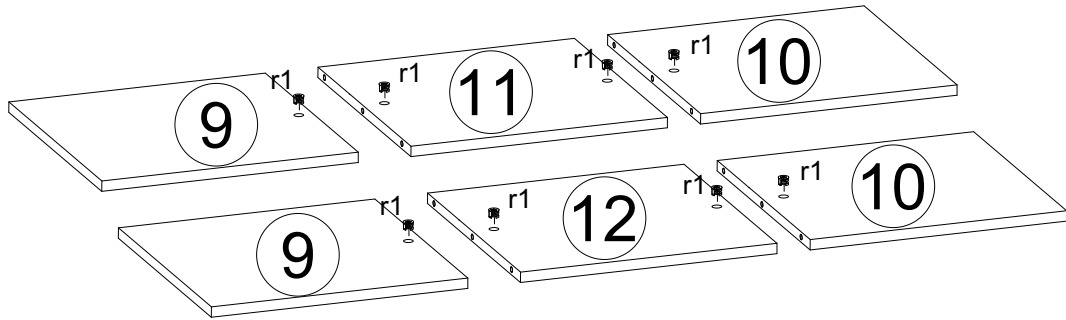




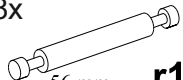


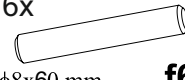
# 7

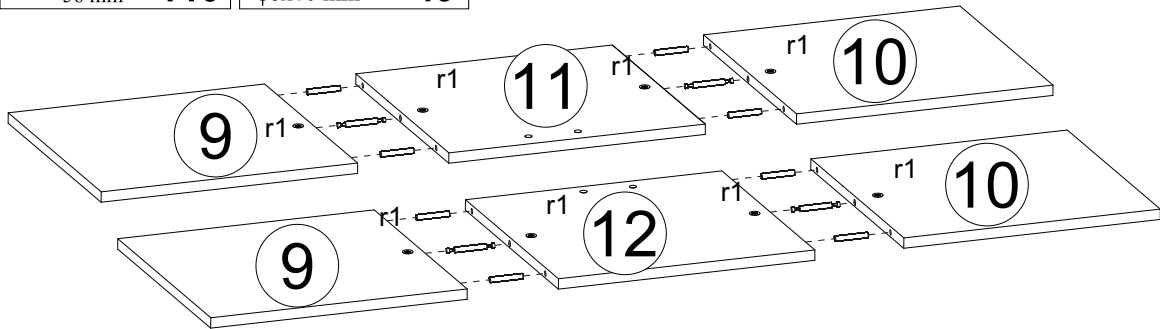
16x  
  
φ15x12mm #16 r1



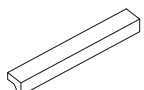
# 8

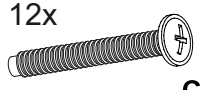
8x  
  
56 mm r10

16x  
  
φ8x60 mm f6



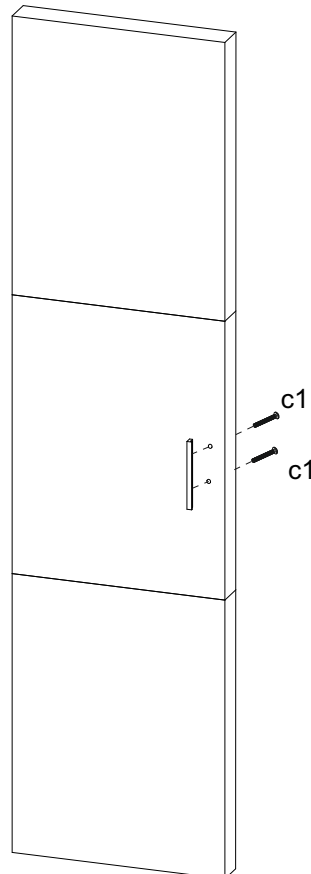
# 9

6x  


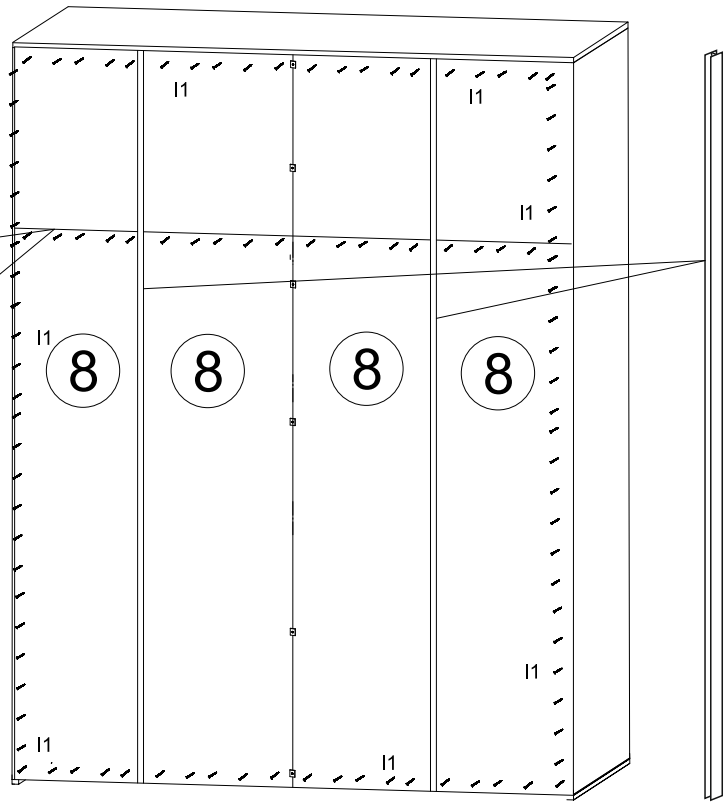
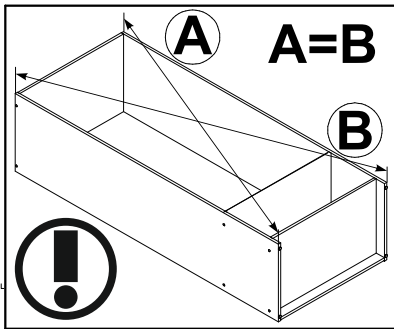
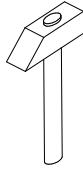
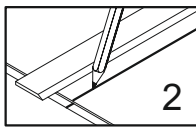
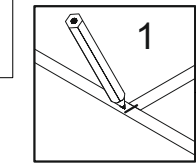
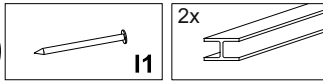
12x  
  
c1



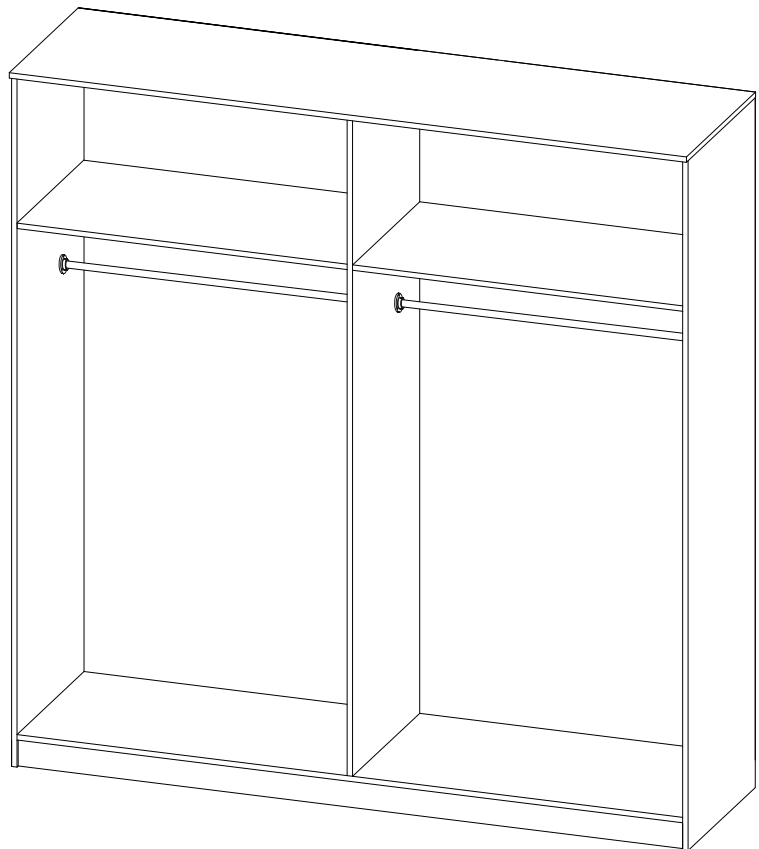
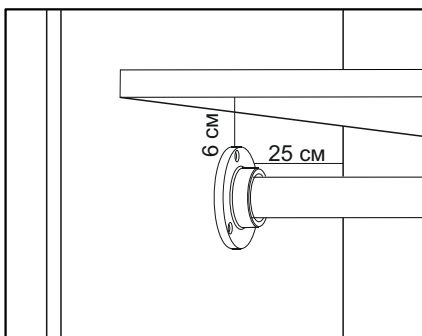
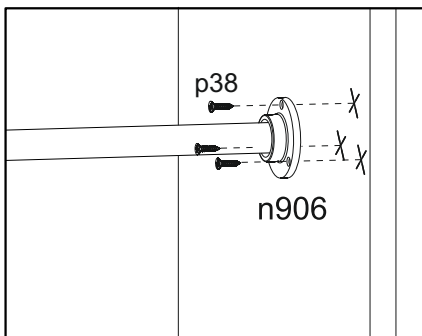
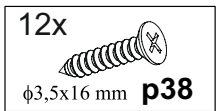
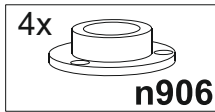
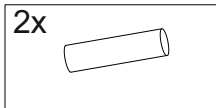
Place washers over the screws to hold the handles securely.  
**Washers can be found in the hardware kit.**



# 10



# 11



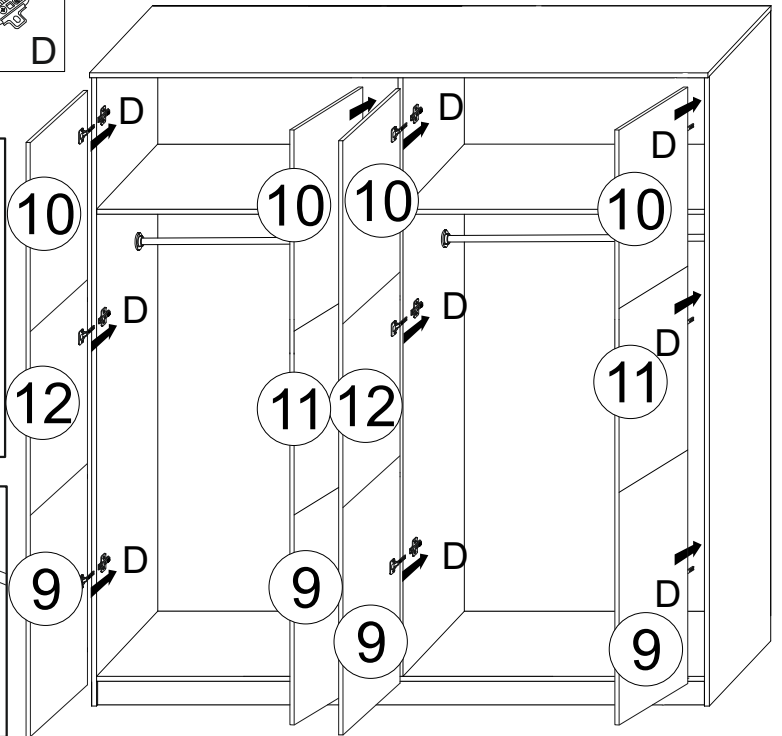
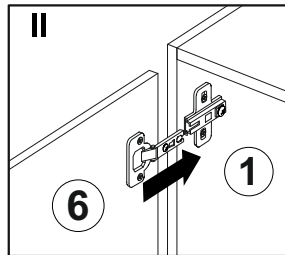
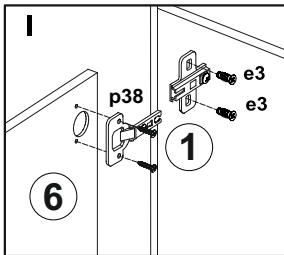
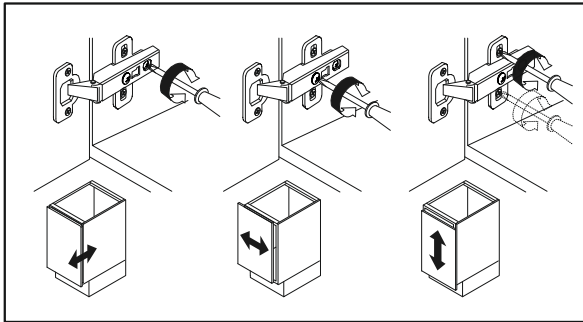


# 12

24x  
φ3,5x16 mm p38

24x  
φ6x13 mm e3

12x  
D



# 13

4x  
φ3,5x16 mm p38

The dowel and the wall mounting angle are not included. Purchase separately.

